

SANITARY CLAMPS 13-MH SERIES

Features & Specifications

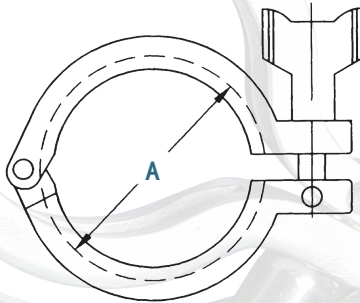
- » Constructed of 304 stainless steel
- » High quality product ensured with 100% factory inspection
- » Various wing nut styles available



13-MHM

| 13-MHM | Size | A |
|--------|------|-------|
| | ½" | 1.13 |
| | ¾" | 1.13 |
| | 1" | 2.12 |
| | 1½" | 2.12 |
| | 2" | 2.65 |
| | 2½" | 3.19 |
| | 3" | 3.72 |
| | 4" | 4.82 |
| | 6" | 6.71 |
| | 8" | 8.70 |
| | 10" | 10.71 |

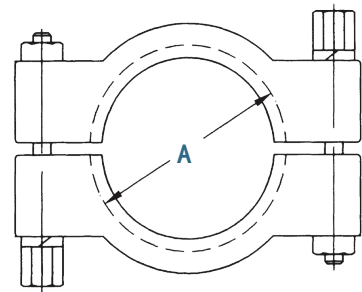
* Single Pin



13-MHP

| 13-MHP | Size | A |
|--------|------|------|
| | 1" | 2.05 |
| | 1½" | 2.05 |
| | 2" | 2.58 |
| | 2½" | 3.11 |
| | 3" | 3.64 |
| | 4" | 4.74 |
| | 6" | 6.71 |

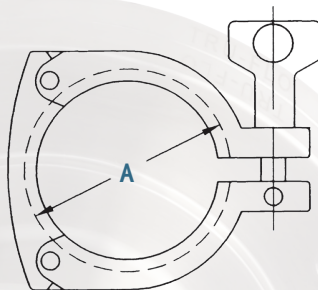
* High Pressure



13-MHHS

| 13-MHHS | Size | A |
|---------|------|------|
| | ½" | 1.13 |
| | ¾" | 1.13 |
| | 1" | 2.12 |
| | 1½" | 2.12 |
| | 2" | 2.65 |
| | 2½" | 3.19 |
| | 3" | 3.72 |
| | 4" | 4.82 |
| | 6" | 6.71 |
| | 8" | 8.70 |

*3-Segment



| 13-MHMM | Size | A |
|---------|------|------|
| | 1" | 2.12 |
| | 1½" | 2.12 |
| | 2" | 2.65 |
| | 2½" | 3.19 |
| | 3" | 3.72 |
| | 4" | 4.82 |

* Double Pin

