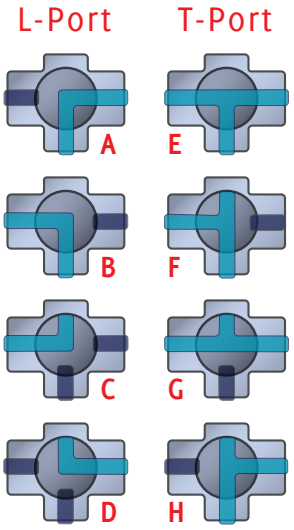
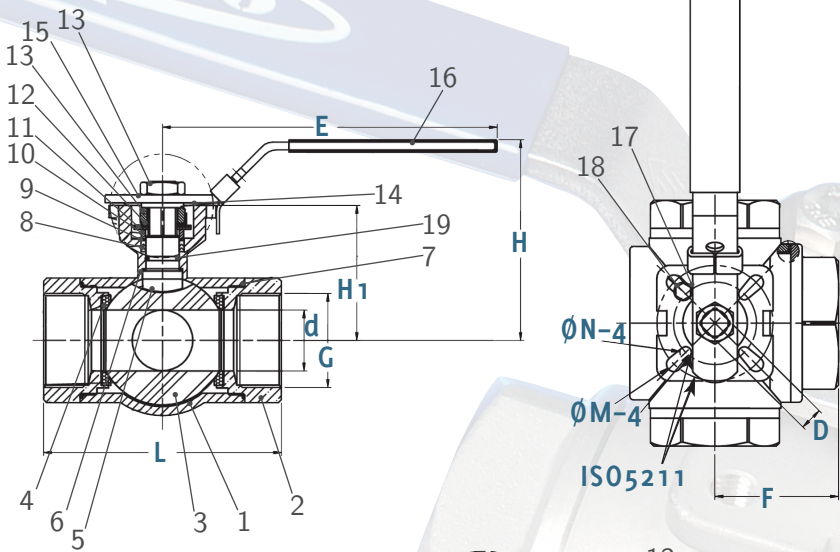


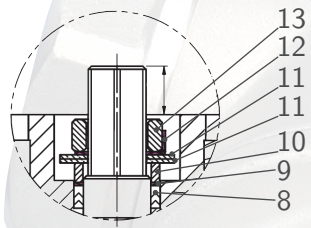
3-PC MULTIPORT VALVE EA-38-10

Features & Specifications

- » ASTM 316 stainless steel construction
- » Blowout proof stem design
- » Standard (reduced) port design
- » Available in L or T port
- » Standard locking handle
- » ISO 5211 mounting pad suitable for automation
- » Multiport design provides positive seating at all ports
- » Reduces quantity of valve needed in pipeline
- » 1000 WOG/NPT ends
- » Available in 1/4"–2" sizes



Item	Part (Qty)	Material
1	Body	ASTM 351 Gr CF8M
2	Cap (3)	ASTM 351 Gr CF8M
3	Ball	ASTM 351 Gr CF8M
4	Ball Seats (4/set)	PTFE
5	Stem	SS 316
6	Thrust Washer	PTFE
7	End Seals (2/set)	PTFE
8	Stem Packing	PTFE
9	Thrust Washer	PTFE 25xG/F
10	Gland Bushing	SS 304
11	Belleville Washer (2)	SUS304-CSP
12	Stop	SS 304
13	Handle Nut	SS 304
14	Washer	SS 304
15	Handle	SS 304
16	Handle Sleeve	Vinyl Grip
17	Stopper	SS 304
18	Screw	SS304
19	O-ring	VITON®



Size	d	L	H	D	F	N	M	E	H1	ISO5211
1/4	0.43	2.98	2.63	0.35	1.51	0.24	0.24	5.20	1.45	F04/F03
3/8	0.43	2.98	2.63	0.35	1.51	0.24	0.24	5.20	1.45	F04/F03
1/2	0.49	2.98	2.63	0.35	1.51	0.24	0.24	5.20	1.45	F04/F03
3/4	0.63	3.41	2.94	0.35	1.76	0.24	0.24	6.97	1.74	F04/F03
1	0.79	4.07	3.71	0.43	2.00	0.24	0.28	6.97	2.17	F05/F04
1 1/4	0.98	4.65	3.94	0.43	2.27	0.24	0.28	8.07	2.39	F05/F04
1 1/2	1.26	4.95	4.56	0.55	2.47	0.28	0.35	8.86	2.96	F07/F05
2	1.50	5.87	4.92	0.55	2.94	0.28	0.35	8.86	3.32	F07/F05

