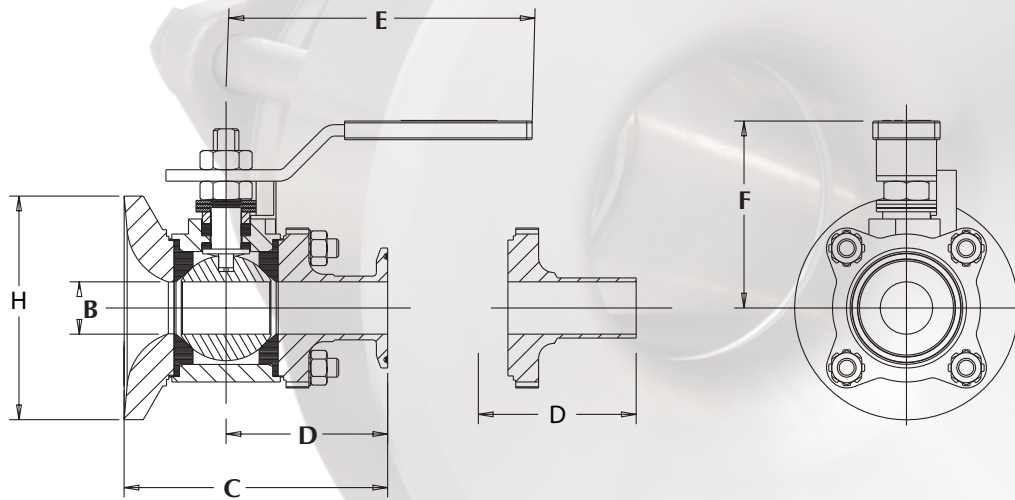


# TANK VALVE EA-33NF-SN-TK

## Features & Specifications

- » Tru-flo Flush Bottom Tank Valve in sizes ½" to 6"
- » Available for Tru-flo 2 Way EA-33NF series in sanitary and industrial valves
- » ASTM 316L Stainless Steel, machined from solid bar stock
- » Highly polished 8-12 RA with fully traceable heat codes
- » End Connections: Butt-weld, NPT, Socket Weld, Sanitary Tubb Butt weld & Tri-clamp
- » Standard TFM™ - PTFE seats / seals
- » ISO 5211 Integral Mounting Pad-Simple to automate
- » Full port flow without tapering



B		C		D		F	E	H	
Valve Size	Port dia.	Face-to-Face		CL to Face		CL to Top of Handle	Handle Length from CL	Pad Dia.	Pad Thickness
		Tri-Clamp	Butt-Weld	Tri-Clamp	Butt-Weld				
1/2"	0.37	3.02	4.3	1.75	3.0	2.79	4.33	2.78	1.12
3/4"	0.62	3.35	4.4	2.00	3.0	2.89	4.33	2.8	1.12
1"	0.87	4.13	5.1	2.25	3.25	3.31	5.31	3.75	1.20
1.5"	1.37	5.0	6.2	2.8	4.0	4.3	6.50	5.0	1.25
2"	1.87	5.6	6.7	3.13	4.25	4.68	6.50	6.10	1.20
3"	2.87	7.8	7.8	4.5	4.5	6.30	11.81	9.00	1.4
4"	3.83	8.7	8.7	4.7	4.7	6.90	11.81	11.50	1.7