

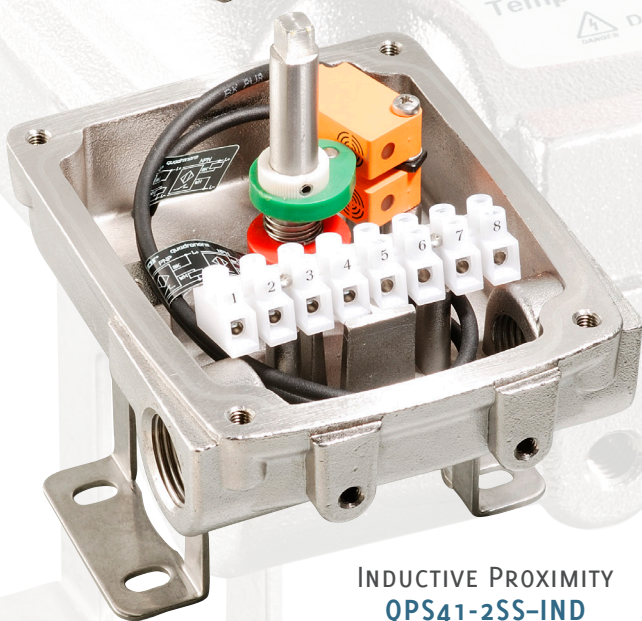
# LIMIT SWITCH BOXES QMS/QPS41-2SS

THE **TRU-FLO** ALUMINUM AND STAINLESS STEEL LIMIT SWITCH BOX IS SETTING A NEW STANDARD FOR COST EFFECTIVE COMPACT LIMIT SWITCHES. BOTH SWITCHES ARE AVAILABLE WITH MECHANICAL, PROXIMITY, AND INDUCTIVE SWITCHES. THESE OPTIONS ALLOW FOR A LOW COST SWITCH BASED ON THE NEEDS AND WANTS OF THE PARTICULAR APPLICATION.



## Features & Specifications

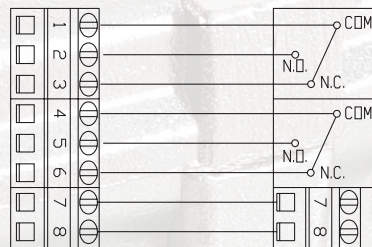
- » Simple operating position changes with quick set cams
- » Compact design for small valve envelope size
- » Easy wiring with two conduit entries M20x1.5 (½" NPT available) and one terminal strip with 8-point angled
- » High visibility indicator comes standard
- » Stainless steel captive cover bolts
- » NAMUR 80x30 H30 stainless steel mounted bracket included
- » Available in stainless steel and technopolymer



### INDUCTIVE PROXIMITY QPS41-2SS-IND

Also available in configurations shown on page 53

## MECHANICAL WIRING

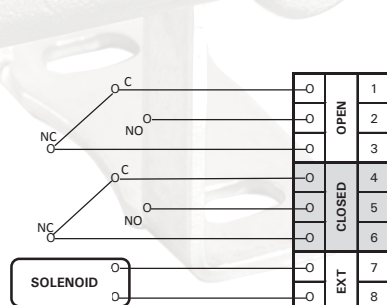


Switch #1  
Up-Open

Switch #2  
Under-Closed

Solenoid Valve  
Pass Thru

## MAGNETIC WIRING



Wire Colors		
Cam Switch Position	Part No. QMS41-2AL MS41-2AL	Part No. QPS41-2AL PS41-2AL
UPPER	Black	White
	Blue	Black
	Red	Blue
LOWER	White	White
	Green	Black
	Yellow	Blue
PASS THRU WIRING		

Please Note: Cam colors do not correspond to beacon colors or open closed designation.

# QMS/QPS41-2AL



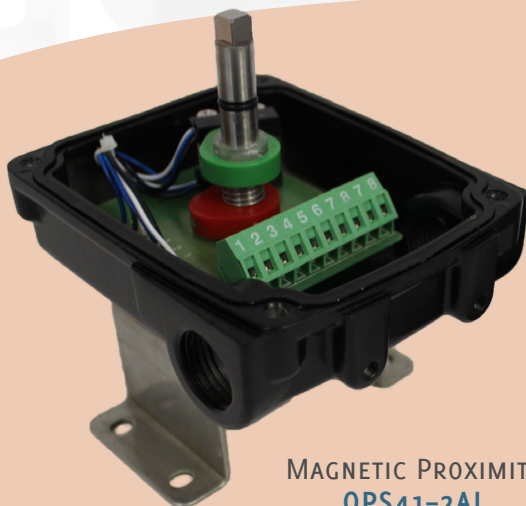
Mechanical Switches	3A @ 250 VAC
Proximity Sensors	See ordering information
Magnetic Switches	See ordering information

Specification	Standard	Option
Enclosure Protection	IP67/NEMA 4/4x	Intrinsically Safe EEx ia IIC T6
Temperature Range	-20°C~+80°C (-4°F+176°F)	-40°C +85°C (-40°F+185°F)
Conduit Entries	2x ½" NPT	2x M20x1,5
Switches	2x mechanical switches SPDT 2x Proximity Sensors 2x Magnetic Switches	Gold plated contacts
Terminal	8-Points	-
External Coating	Black Epoxy Coating ElectroPolished Stainless Steel	-
Weight	1.76 lbs	-

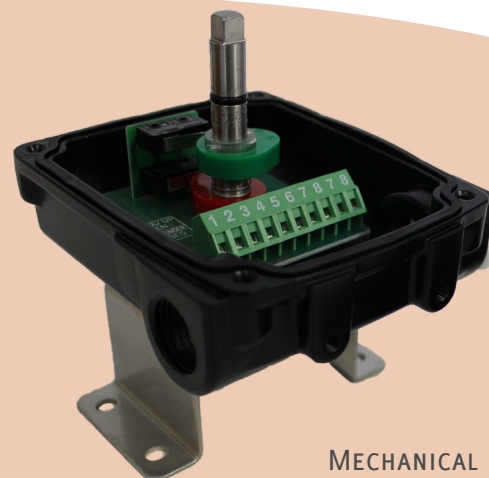
Item	Material
Housing	Die Cast Aluminium AISI 316L Stainless Steel
Shaft	AISI 304 Stainless Steel (For All LSB) AISI 316 Stainless Steel (for SS LSB)
External Indicator	Polycarbonate
Indicator OPEN/CLOSED	ABS
Cams	ABS
Spring	Stainless Steel
O-ring	NBR
Bracket	AISI 304 Stainless Steel (For All LSB) AISI 316 Stainless Steel (for SS LSB)



UNIVERSAL 303SS  
MOUNTING BRACKET



MAGNETIC PROXIMITY  
QPS41-2AL



MECHANICAL  
QPS41-2AL